

The Keeper Sealock is a C-TPAT/ISO/PAS 17712 compliant high security container/cable seal that requires two cuts for removal, doubling the security of shipments.

Applications

- Intermodal Containers
- ISO Containers
- Trailers

Features

- Both diameters are ISO/PAS 17712 and C-TPAT compliant.
- Total seal length of 62" (1574.8mm).
- Short exposed cable length (both diameters) is 14" (355mm).
- Length of long end cable can be increased in 2" increments.
- Cable ends lock within seal body via a patented locking device.
- Patented design secures both container hardware and keeper bars.
- Two cuts of cable, by cable cutter, required for seal removal.

Material

- Cast zinc body
- 3/16" (5mm) 7 x 19 galvanized steel aircraft cable

Dimensions

- Standard, overall cable length is 62" (1574.8mm)
- For 3/16" version: long exposed cable length is 42" (1067mm) and seal body is 2-1/16" (52mm)

Strength Characteristics

For 3/16" (5mm) diameter:

- Average pull apart force is 6,495 lbs (2,950 kg; 28.9 kN)
- Average cutting force (shear) is 2,590 lbs (1,175 kg; 11.5 kN)
- Average impact force is 50+ ft-lb (68+ Nm)
- Average bending moment is 2,000 cycles minimum

Decoration/Printing

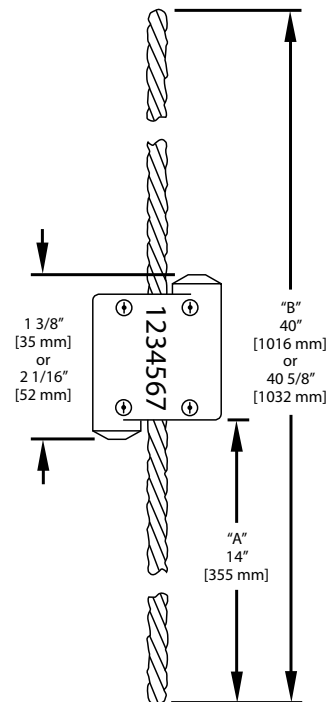
- Heat or cold stamped with seven alphanumeric characters
- Characters are 1/4" (5mm) in height

Product Numbers

9900058 3/16" (5mm) diameter, heat stamped

Packaging

3/16" Standard Packaging: 10/Bundle - 50/Box
 Carton Dimensions: 15" x 11.5" x 7.25"
 (37.5cm x 29cm x 18cm)
 Carton Weight: Gross 28 lbs (13 kg)



Transport Security, Inc.

952-442-5625

enforcer@TransportSecurity.com

TransportSecurity.com

